



THE NUT PLACE

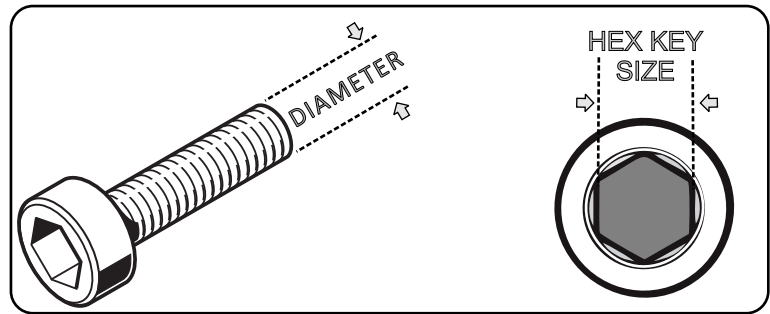
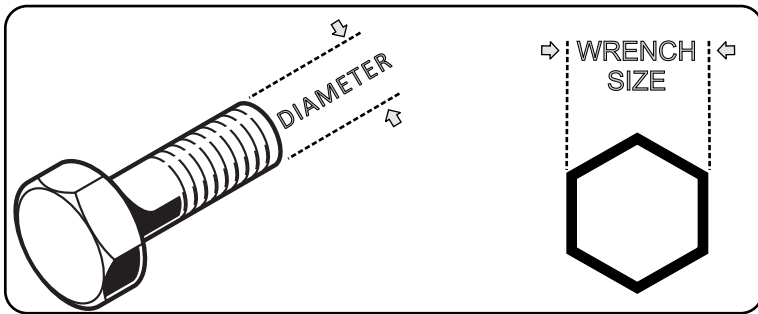
6605 N. Gessner Houston, TX 77040-4015

Ph: 713-462-3147

sales@thenutplace.com

www.thenutplace.com

How do I determine the Wrench size or Hex Key size for Hex Head Bolts and Socket Heads?



INCH		
TOOLS FOR HEX HEAD BOLTS AND SOCKET HEADS		
Diameter	Wrench Size	Hex Key Size
1/4	7/16	3/16
5/16	1/2	1/4
3/8	9/16	5/16
7/16	5/8	3/8
1/2	3/4	3/8
9/16	13/16	7/16
5/8	15/16	1/2
3/4	1 1/8	5/8
7/8	1 5/16	3/4
1	1 1/2	3/4
1 1/8	1 11/16	7/8
1 1/4	1 7/8	7/8
1 3/8	2 /16	1
1 1/2	2 1/4	1
1 3/4	2 5/8	1 1/4
2	3	1 1/2

METRIC		
TOOLS FOR HEX HEAD BOLTS AND SOCKET HEADS		
Diameter	Wrench Size	Hex Key Size
M4	7mm	3mm
M5	8mm	4mm
M6	10mm	5mm
M8	13mm	6mm
M10	17mm	8mm
M12	19mm	10mm
M14	22mm	12mm
M16	24mm	14mm
M18	27mm	14mm
M20	30mm	17mm
M22	32mm	17mm
M24	36mm	19mm
M30	46mm	22mm

Also available from The Nut Place...

Machine Screws, Sheet Metal Screws, All Thread Rod, Carriage Bolts, Lag Screws, Structural A325 Bolts, Concrete Wedge Anchors, B7 Studs, Tap End Studs, Double End Studs, Stainless Hose Clamps, Metric (course and fine thread), Drilled Head and Threaded products. Stud bolts made to print. We have an in-house machine shop. We are your source for A320 L7/M, B8M Class 1&2, Inconel, and Duplex steels.